

PLASTIC CENTRIFUGAL PUMP

**PIPE SIZE: 3/8 HOSE CONNECTION IN
3/8 HOSE CONNECTION OUT
1/8 AIR VENT HOSE CONNECTION**



**Model 142-01A44
shown**

PUMP & MOTOR FEATURES

- Chemical resistant construction
 - Body and Adapter made of non-metallic glass reinforced Nylon 6/6
 - Impeller made of non-metallic glass reinforced PPS
- Mechanical Seal - Type 6A carbon/ceramic faces, viton elastomers
- Barbed -Hose Connections
- Static Buna O-Ring body/adapter seal
- Integrated Air Vent - prevents loss of prime
- Compact and Lightweight
- Installation/Mounting Versatility - port orientation
- Universal - Open Drip Proof Motors with internal fan cooling, UL, CSA
 - No 18 Wire leads - 25" long
 - Low amperage
 - 120VAC, 240VAC (Optional: double insulation) and 12VDC versions.

GENERAL

These compact high speed centrifugal pumps are suited for a variety of industrial and commercial applications. They are particularly well suited for portable liquid cleaning machinery, laboratory use and spray installations.

The design's symmetry provides a wide range of configuration possibilities allowing ready customization of discharge port position and optional air vent orientation relative to the motor base. (see below)

INSTALLATION

Maximum fluid temperature is 200°F. Fluids must be compatible with viton seal elastomer. To promote long product life, assure that ambient air can circulate around the unit to prevent over-heating.

Ground metal frame motors. There is a #6-32 tapped hole ground connection provided on the end of metal framed motors.

Prevent air trapping in plumbing lines by avoiding loops. Use air vent fitting connection to purge air. Though capable of pulling slight vacuum, the pump performs best under flooded suction conditions when located for gravity feed.

(10,000 RPM)

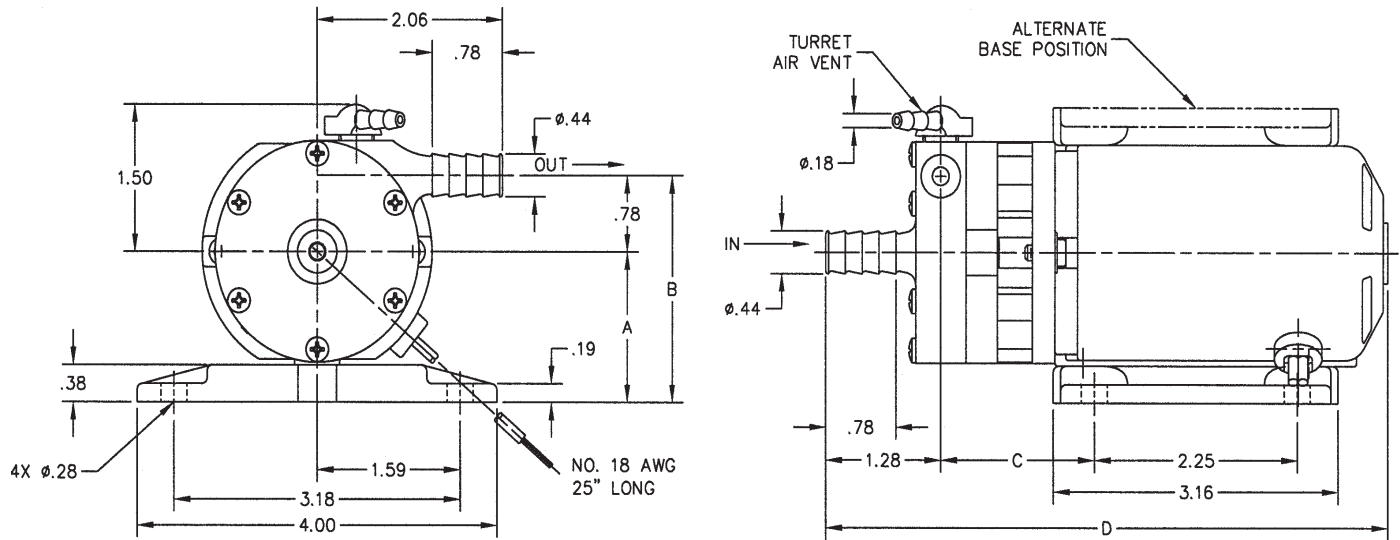
			Optimum Efficiency Range							
HEAD	PSI		0	5	10	15	20	25	30	35
	FT.HD.		0	11.5	23	34.6	46.2	57.7	69.3	80.8
FLOW	GPM	Plugged Vent	2.2	2.2	2.1	1.9	1.6	1.2	0.7	0.3
	GPM	With Bypass thru Vent	2.0	2.0	1.9	1.6	1.3	0.9	0.4	---
CURRENT	AMPS	@ 120V	1.45	1.45	1.45	1.40	1.35	1.30	1.25	1.20
	AMPS	@ 240V	0.80	0.77	0.75	0.73	0.70	0.68	0.63	0.60

12 VDC Motor (7,000 RPM)

HEAD	PSI		0	5	10	15	20
	FT.HD.		0	11.5	23	34.6	46.2
FLOW	GPM	Plugged Vent	1.9	1.7	1.4	1.1	0.5
CURRENT	AMPS	@ 12V	1.35	1.34	1.33	1.31	1.29

PLASTIC CENTRIFUGAL PUMP

DIMENSIONS

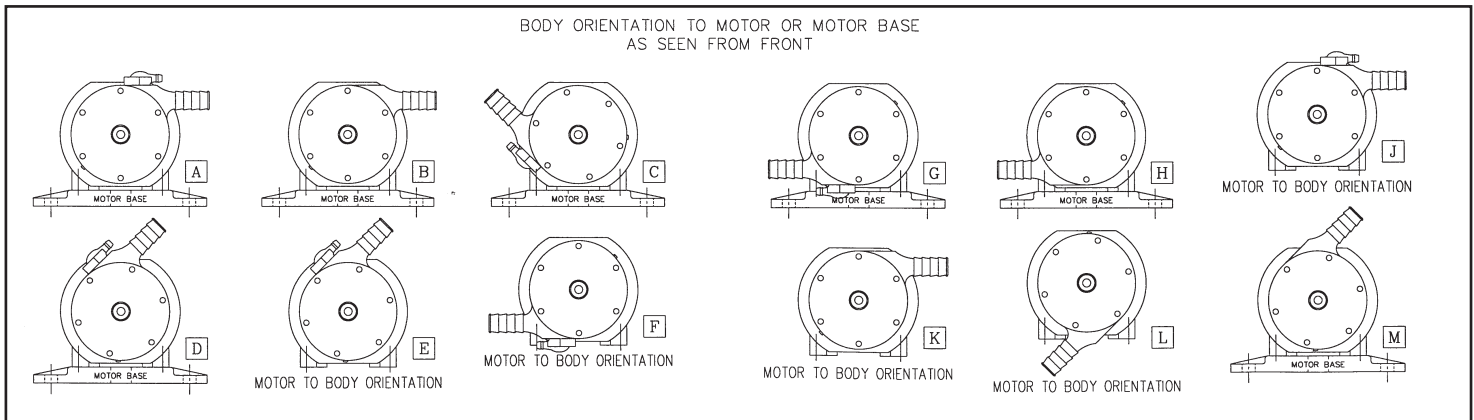
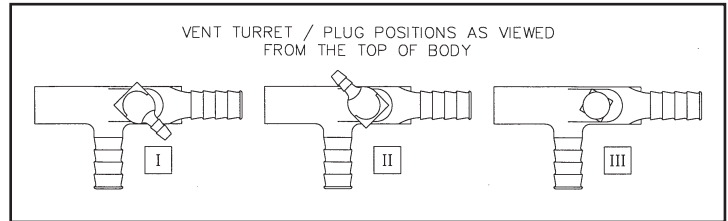


PUMP	DIMENSIONS			
	A	B	C	D
142-01A44	1.54	2.32	1.71	6.25
142-01A46	1.67	2.45	2.74	7.16
142-01A47	1.67	2.45	2.74	7.16
142-01A91	1.67	2.45	2.74	7.16

PLASTIC CENTRIFUGAL PUMP

AIR VENT FITTING

The optional air vent fitting prevents loss of prime that can occur due to entrapped air. It is factory installed with a disposable vent cap. Entrapped air can be encountered in applications where the liquid in the supply tank is completely exhausted. Air can be introduced to the system before the next tank filling. For best results, configure and install pump with air vent near the top.



Pump No	Wet End Features		Motor Features				
	Vent Turret or Plug Position	Body Orientation to Motor or Motor Base	Insulation	Ground	Nominal Speed	Voltage	Part #
142- 01 A44	I	A		External	10,000	120V AC	8370
142- 02 A44	I	G		External	10,000	120V AC	8370
142- 08 A44	I	C		External	10,000	120V AC	8370
142- 10 A44	I	J		External	10,000	120V AC	8370
142- 12 A44	I	G		External	10,000	120V AC	8370
142- 56 A44	I	A		External	10,000	120V AC	8370
142- 01 A46	I	A	Double		10,000	120V AC	8516
142- 02 A46	I	G	Double		10,000	120V AC	8516
142- 56 A46	I	A	Double		10,000	120V AC	8516
142- 01 A47	I	A	Double		10,000	240V AC	8517
142- 02 A47	I	G	Double		10,000	240V AC	8517
142- A91	III	A			7,000	12V DC	2057

VITON is a trademark of DuPont Dow Elastomers, an equivalent fluoroelastomer may be used