

BRONZE OR ALUMINUM SELF-PRIMING CENTRIFUGAL PUMP

PIPE SIZE 1"



BRONZE

| Pump No. | Material |
|----------|---|
| 300B | Bronze with stainless steel shaft, Single Phase |
| 300B-01 | Bronze with Monel shaft, Single Phase |

FEATURES

- Self-Priming to 20 Feet Suction Lift
- Rugged Bronze Construction
- Ideal for marine service (air conditioning, bilge, and sea water recirculating).
- O-Ring Housing seal eliminates gasket problems
- Auxiliary Connections - for convenient priming and draining
- Multiple Mechanical Shaft Seal Options -for various applications
- Pump Heads mount to Standard Footed Nema 56J Jet Pump Motors
 - Shafts : 416 Stainless, Monel, or 316 Passivated Stainless
 - Multiple motor options including Explosion Proof
- For Pedestal Style, see 30PB
- Optional Lifting Handle

Up to 22 gallons per minute water flow and suction lift of 15 feet without a foot or check valve (25 foot suction lift using a foot or check valve and a filled inlet line). A 1/2" pipe plug on the tank top is for initial filling of priming chamber and inlet line-- pump priming is automatic thereafter. Pump seal is mechanical carbon face type mated to ceramic wear face for maximum durability. Other seal components are made of Buna N with low swell characteristics for compatibility with a wide range of liquids including many chemicals and solvents. These pump models are widely used for the pumping of Perchloroethylene. **Must be operated in the horizontal position. (As shown in picture)**

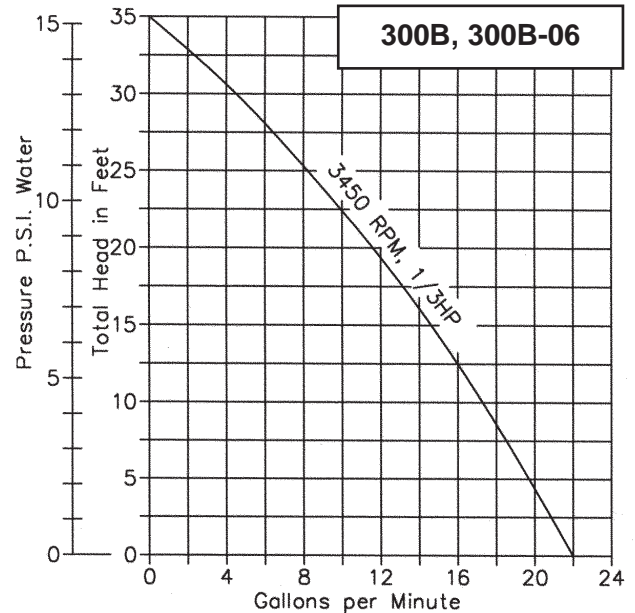
SEAL OPTIONS

Note: Seal and shaft modifications below are not physically interchangeable. See parts table (rear).

Viton® A Solvent Mechanical Seal: Mechanical seal for oils, fuels, lubricants, most mineral acids, and many solvents that attack other rubbers such as Carbon Tetrachloride, toluene, benzene, and xylene.

Teflon® Mechanical Seal: For virtually all industrial chemicals, corrosives and solvents - as limited by compatibility of basic pump metal of construction.

CAPACITY - Water 60° F - Gallons Per Minute at zero lift



Capacity - Water 60°F - Gallons Per Minute
Maximum lift without foot valve is 10 feet.

| Discharge Pressure | | 3450 RPM Suction Lift | | | | |
|--------------------|---------------|-----------------------|-------|--------|--------|--------|
| Feet | Equiv. P.S.I. | 0 Ft. | 5 Ft. | 10 Ft. | 15 Ft. | 20 Ft. |
| 0 | 0 | 22 | 20 | 17 | 14 | 10 |
| 5 | 2.2 | 20 | 17 | 14 | 10 | 5 |
| 10 | 4.3 | 17 | 14 | 10 | 5 | --- |
| 15 | 6.5 | 14 | 10 | 5 | --- | --- |
| 20 | 8.7 | 10 | 5 | --- | --- | --- |
| 25 | 10.8 | 5 | --- | --- | --- | --- |
| 30 | 13.0 | 3 | --- | --- | --- | --- |
| 35 | 15.2 | 1 | --- | --- | --- | --- |

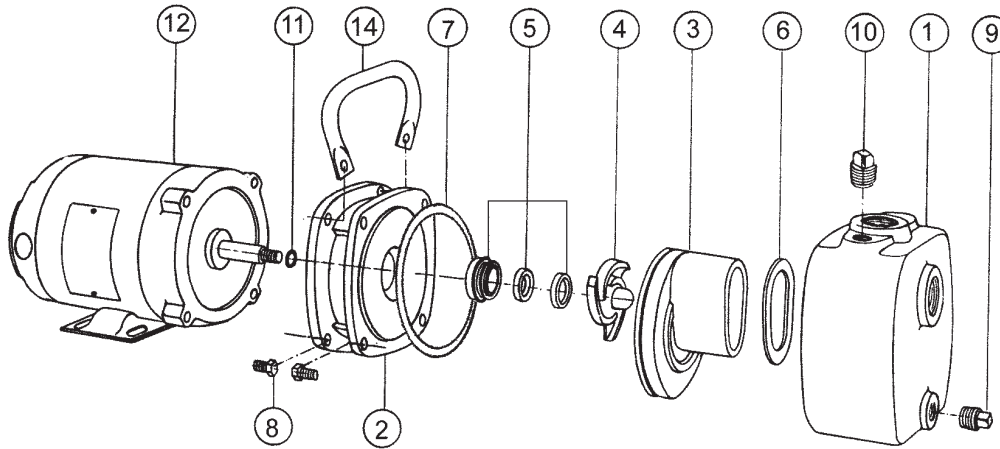
| Pump Head | Style | Materials | | | | | Typical Applications |
|-----------|------------|-----------------|-------------------|-----------|-----------------|-----------|--|
| | | Head | | | Seat | | |
| | Type | Face | Case | Elastomer | Face | Elastomer | |
| 300B-06 | 16 or 2100 | Silicon Carbide | Passivated 316 SS | BUNA | Silicon Carbide | BUNA | Ocean water with fine abrasives |
| 300B | 6A | Carbon | Passivated 316 SS | BUNA | Ceramic | BUNA | Non-Potable fresh water, salt water, ethylene glycol |
| 300B S10 | 6A | Carbon | 18-8 SS | VITON | Ceramic | VITON | Solvents * |
| 300B S11 | 9A | Carbon | 18-8 SS | TEFLON | Ceramic | VITON | Industrial chemicals * |

Notes: * Fluids compatibly suitable for use with Bronze

* Viton® is a trademark of DuPont Dow Elastomers. Viton® or equivalent FKM will be used.
Teflon® is a trademark of DuPont. Teflon or equivalent PTFE will be used.

BRONZE OR ALUMINUM SELF-PRIMING CENTRIFUGAL PUMP

PARTS LIST AND EXPLODED VIEW



Item #13 - Impeller set screw for 3 phase motors only, is not shown.

| | 1 | 2 | 3 | 4* | 5* | 6* | 7* | 8 | 9 | 10 | 11* | 12 | 13* | 14** | Repair Kit * |
|-----------------|---------|---------|----------|----------|------------|-----------------|-----------|---------|---------|---------|---------|---------|-----------|---------|--------------|
| | Body | Adapter | Diffuser | Impeller | Seal Assy. | Gasket-Diffuser | O-ring | Screw | Plug | Plug | Shim | Motor | Set Screw | Handle | |
| | 1 Req'd | 1 Req'd | 1 Req'd | 1 Req'd | 1 Req'd | 1 Req'd | 1 Req'd | 8 Req'd | 1 Req'd | 1 Req'd | 1 Req'd | 1 Req'd | 1 Req'd | 1 Req'd | |
| 300B | 7190 | 7191 | 7192 | 7193 | 32155 | 6021-09 | 9797-157 | 5411 | 7321 | 7443 | 6025 | ---- | ---- | ---- | 10865 |
| 300B-06 | 7190 | 7191-1 | 7192 | 7193-1 | 33226 | 6021-09 | 9797-157 | 5411 | 7321 | 7443 | 6025 | ---- | ---- | ---- | 10867 |
| 300BP | 7190 | 7191 | 7192 | 7200 | 32155 | 6021-09 | 9797-157 | 5411 | 7321 | 7443 | 6025 | ---- | 9849 | ---- | 10866 |
| 300B S10 | 7190 | 7191 | 7192 | 7193 | 32210 | 2271 | 9797-157 | 5411 | 7321 | 7443 | 6025 | ---- | ---- | ---- | 11290 |
| 300B S11 | 7190 | 7314 | 7192 | 7193 | 32211 | 2271 | 9355-157S | 5411 | 7321 | 7443 | 6025 | ---- | ---- | ---- | 11604 |

* Repair kit includes these items (and 6022 body gasket for older models)

** Optional handle (part # 7766)

PUMP & MOTOR OPTIONS

These are the most frequently used pump and motor combinations. If you have other needs, our sales reps can recommend a pump and motor for your application.

| Pump No. | HP | SF | Enclosure | Phase | Voltage | Shaft Construction | Motor Item 12 |
|------------|-----|------|-----------|--------|---------------|--------------------|---------------|
| 300B-F13 | 1/3 | 1.75 | ODP | single | 115 | 416 | 5859 |
| 300B-01F26 | 1/3 | 1.75 | ODP | single | 115 / 230 | monel | 32273 |
| 300B-F17 | 1/3 | 1.75 | ODP | single | 115 / 230 | 316 passivated | 3032 |
| 300B-F21 | 1/3 | 1.75 | XP | single | 115 / 230 | 416 | 8214 |
| 300BP01F65 | 1/3 | 1.75 | ODP | three | 208 230 / 460 | monel | 32355 |
| 300BP-F57 | 1/3 | 1.75 | ODP | three | 208 230 / 460 | 416 | 6996 |

| Pump No. | HP | SF | Enclosure | Phase | Voltage | Shaft Construction | Motor Item 12 |
|------------|-----|------|-----------|--------|-----------|--------------------|---------------|
| 300P-J57 | 1/2 | 1.60 | ODP | three | 230 / 460 | 416 | 6998 |
| 300B-J20 | 1/2 | 1.65 | TEFC | single | 115 / 230 | 416 | 7976 |
| 300-J20 | 1/2 | 1.65 | TEFC | single | 115 / 230 | 416 | 7976 |
| 300B-01J26 | 1/2 | 1.65 | ODP | single | 115 / 230 | monel | 32332 |
| 300B-J24 | 1/2 | 1.65 | ODP | single | 115 / 230 | 316 passivated | 3031 |
| 300B-J89 | 1/2 | 1.00 | TENV | DC | 12V | 416 | 2386 |
| 300BP-M58 | 3/4 | 1.15 | TEFC | three | 230 / 460 | 416 | 7967 |

DIMENSIONS

