

BRONZE CLOSE COUPLED CENTRIFUGAL PUMP

PIPE SIZE: INLET 3/4", OUTLET 1/2"

CAPACITY Water at 60° F



FEATURES

- Rugged bronze construction
- A standard in the marine air conditioning industry
- Extremely quiet operation
- O-ring housing seal eliminates gasket problems
- Wide hydraulic range - four impeller sizes
- Handles contaminated liquids
- Discharge port orientation flexibility - 8 positions
- Mechanical seal - carbon/ceramic
 - Buna - standard
 - Viton® (S10) optional
 - Teflon® (S11) optional
- Pump heads mount to standard footed NEMA 56J jet pump motors
- Shafts: 416 Stainless
- Multiple motor options available
- For marine version - see Model 104M
- For pedestal style version, see Model 60P

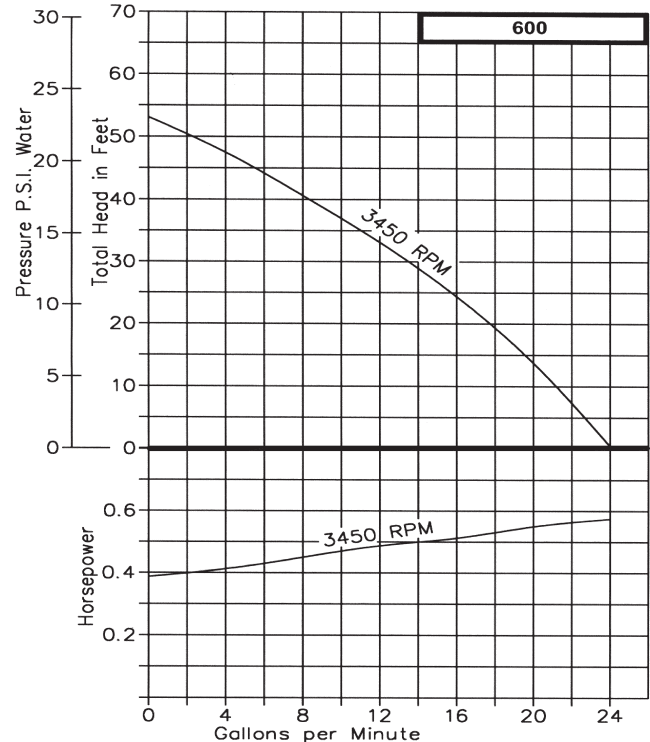
LIQUIDS

The special pump alloys used provide corrosion resistance to many liquids including water, water solutions, and a wide range of commercial chemicals. Questions as to the chemical compatibility of special liquids should be referred to the factory.

Viscous liquids with a maximum viscosity of 2000 Saybolt Seconds Universal can be pumped. However, when pumping viscous liquids as compared with water, a reduction in flow and pressure occurs and the required horsepower rate increases.

Liquids heavier than water require additional horsepower in direct proportion to the increase in specific gravity. Liquids contaminated with small solids or abrasives can be handled, but a reduction in mechanical seal life must be expected.

* Viton® is a registered trademark of DuPont Dow Elastomers. Viton® or equivalent FKM will be used.
Teflon® is a registered trademark of DuPont. Teflon® or equivalent will be used.



CHARACTERISTICS

This close coupled pump uses a standard NEMA C-Flange Jet Pump Motor with weld-on base and threaded shaft end to accept the pump impeller. Single phase motors are non-reversible and are wired for the proper pump rotation which is counter-clockwise looking at the inlet end of the pump. Three phase motors must be checked out for proper rotation when pump is installed. Interchanging of any 2 wires in a 3-phase system will reverse motor rotation.

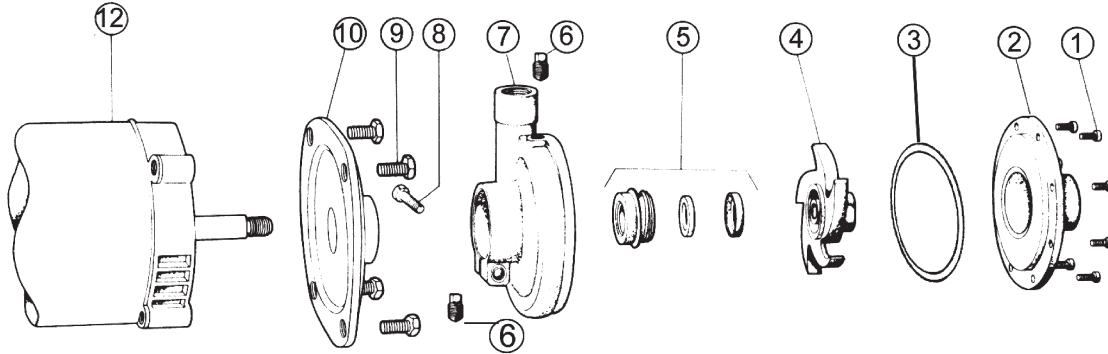
The pump uses a mechanical type shaft seal with a Buna rubber element. It is suitable for water, oils, and some mild solvents. It is limited to 212° F and 75 P.S.I. Viton® seals and Teflon® seals are available for severe solvents and difficult chemicals.

These centrifugal pumps are not self-priming. They must be installed below the liquid level so that the liquid flows to the pump by gravity (flooded suction). However, if a foot valve is used at the beginning of the suction line and all air is bled from the pump by manual priming, the pump will lift on the suction side up to 15 feet. Such a system relies entirely on a non-leaking foot valve for starting capability.

The flow of a centrifugal pump can be conveniently controlled by a throttling valve in the discharge line without the need for a relief valve. In centrifugal pumps, the horsepower demand will decrease as the pressure increases. Maximum horsepower occurs with a wide open discharge.

BRONZE CLOSE COUPLED CENTRIFUGAL PUMP

EXPLODED VIEW AND PARTS LIST



Pump No.	1	2	3 ¹	4 ¹	5 ¹	6	7	8	9	10	11 ^{1,2}	12	Repair Kit ¹	
	Screw	Cover	O-Ring	Impeller	Seal Assy.	Plug	Body	Screw	Screw	Adapter	Set Screw	Motor		
	8 Reqd	1 Reqd	1 Reqd	1 Reqd	1 Reqd	2 Reqd	1 Reqd	1 Reqd	4 Reqd	1 Reqd		1 Reqd	1 Reqd	
600	5385	5168	9797-042	5219	32154	6052	7515	5595	5411	7611	---	---	10696	Single Phase
600P	5385	5168	9797-042	7201	32154	5395	7515	5595	5411	7611	9849	---	10858	Three Phase
600S-10	5385	5168	9797-042	6033	32210	6052	7515	5595	5411	7611	---	---	10814	Single Phase
600S-11	5385	5168	9797-042	6033	32211	6052	6173	5595	5411	7611	---	---	10768	Single Phase
600PS-10	5385	5168	9797-042	7432	32210	6052	7515	5595	5411	7611	9849	---	12175	Three Phase
600PS-11	5385	5168	9797-042	7432	32211	6052	6173	5595	5411	7611	9849	---	11747	Three Phase

¹ Repair Kit contains items 3, 4, 5, & 11.

² Item 11 is located in the impeller, not shown in exploded view.

PUMP AND MOTOR COMBINATIONS

Note: These are the most frequently used pump and motor combinations. If you have other needs, our sales reps can recommend a pump and motor for your application.

Pump No.	Motor	Electric Motor Specs	Part #
600, 600S-10, 600S-11	F13	1/3 HP, 3450 RPM, 115v, Single, ODP	5859
600	F19	1/3 HP, 3450 RPM, 115/230v, Single, ODP	7957
600	F20	1/3 HP, 3450 RPM, 115/230v, Single, TEFC	7986
600	F21	1/3 HP, 3450 RPM, 115/230v, Single, XP	8214
600	F22	1/3 HP, 2850 RPM, 115/230v, Single ODP	9758
600, 600S-10, 600S-11	J19	1/2 HP, 3450 RPM, 115/230v, Single, ODP	5860
600, 600S-10, 600S-11	J20	1/2 HP, 3450 RPM, 115/230v, Single, TEFC	7976
600P, 600P-S10, 600PS-11	F57	1/3 HP, 3450 RPM, 220/440v, Three, ODP	6996
600P	M57	3/4 HP, 3450 RPM, 220/440v, Three, ODP	6999
600P, 600P-S10, 600PS-11	M58	3/4 HP, 3450 RPM, 220/440v, Three, TEFC	7967
600P-S10, 600PS-11	F58	1/3 HP, 3450 RPM, 220/440v, Three, TEFC	7987
600P, 600P-S10, 600PS-11	J58	1/2 HP, 3450 RPM, 220/440v, Three, TEFC	9214

DIMENSIONS

(A typical 600-F13 or 600P-F57 shown.)

