

DUCTILE IRON CLOSE COUPLED ROTARY GEAR PUMPS

MODEL C992T - 3/4" NPT PORTS



FEATURES

- Compact Dimensions
- Rugged Ductile Iron Construction
- Hardened Steel Shafts
- Viton Lip Seal
- Self-Lubricating Carbon Bearings (Optional Flanged Bearings C992T-F)
- O-ring cover seal for maximum leak protection
- Durable paint finish
- Drop-in replacement for Haight model 5E001000

GENERAL DESCRIPTION

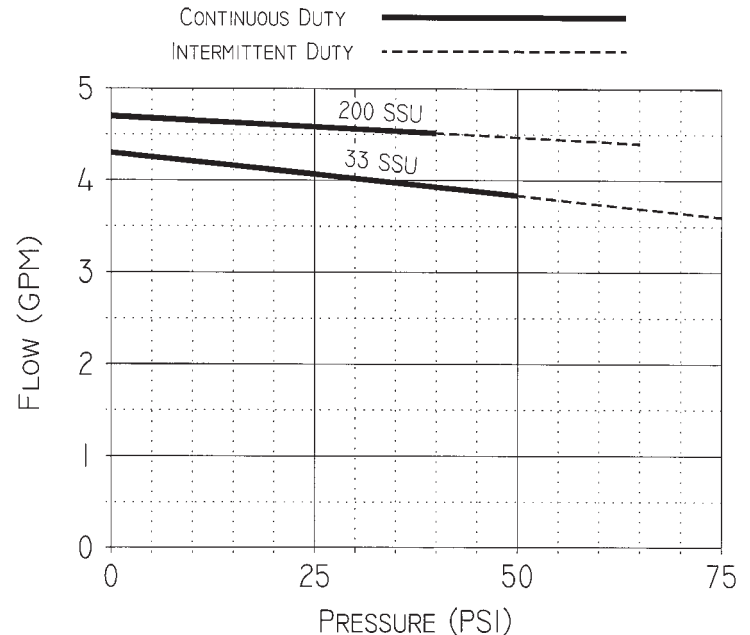
The pumps are tailored specifically for wear resistance and long life in both lubricating C992T and non-lubricating C992T-F service. They are designed to handle a wide range of fluids at temperatures to 200 F. The operating pressure limit for thin fluids 33 SSU is 75 psi at 1725 RPM and 65 psi for viscous 200 SSU fluids based upon the 1/3 HP motor configuration.

These external gear pumps require less maintenance than comparable internal gear pumps primarily due to the absence of cantilevered bearing loads. Four sleeve bearings provide uniform shaft support on both sides of gears.

As with all external gear rotary pumps which operate based upon close running clearances, the presence of solid particles and abrasives can lead to premature wear and damage. Use suction screens or start-up strainers when necessary.

PERFORMANCE

1/3 HP 1725 RPM



SUCTION LIFT

Whenever possible, place the pump at an elevation below the liquid source. However since these positive displacement external gear pumps will generate 20" HG lift, this is not a requirement. As a general rule, place the pump as close to the liquid source as possible. For a first start-up, the pump should be primed to avoid dry running. Minimum size of the suction pipe is the size of the pump inlet port.

DRIVE ARRANGEMENT

The C992T pump head features a male mounting hub and tanged drive shaft. It mounts directly to specifically modified 56Y frame motors - Oberdorfer F33 Part 2143 or Haight's (Leeson) M4C17DH66F. Our F33 motor is 60/50 HZ (4 Pole) ODP with capacitor start and rigid base.

ROTATION AND RELIEF VALVE

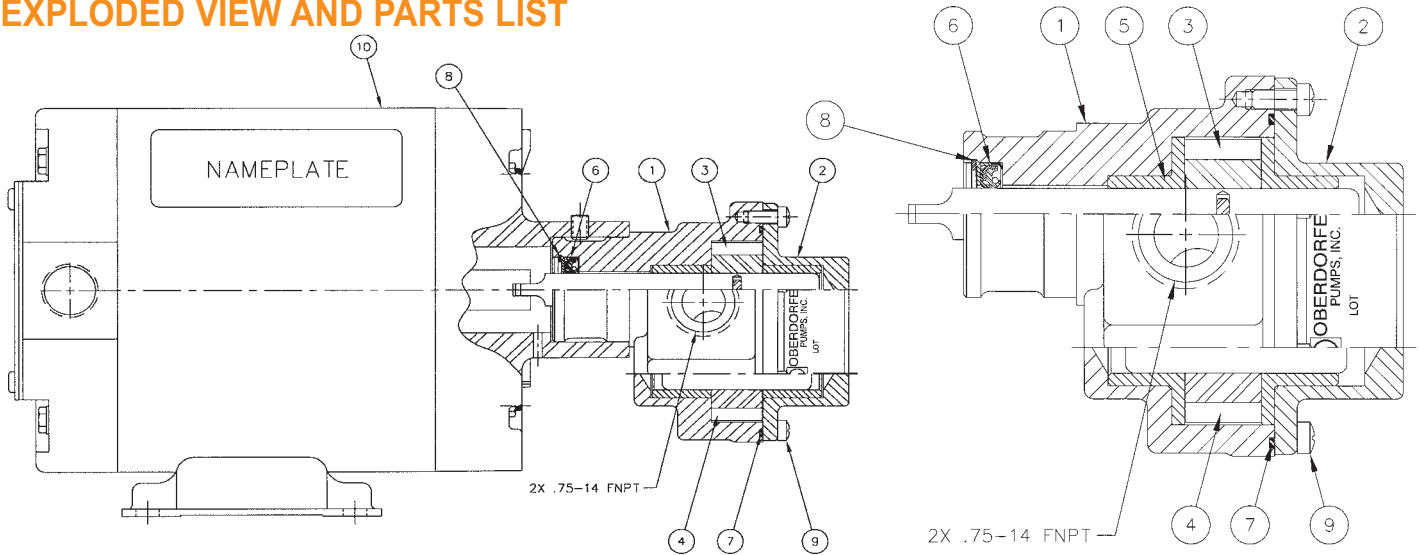
These pumps are bidirectional. The standard pump motor unit is set up for normal rotation (clockwise when viewing the pump from the shaft end). Reversing the motor rotation will reverse the "in" and "out" ports.

RELIEF

These pumps are positive displacement devices capable of generating high line pressure. Discharge lines should be fitted with properly sized line pressure relief valves to protect the pump, motor, and downstream system. The relief outlet should be piped back to the suction vessel.

DUCTILE IRON CLOSE COUPLED ROTARY GEAR PUMPS

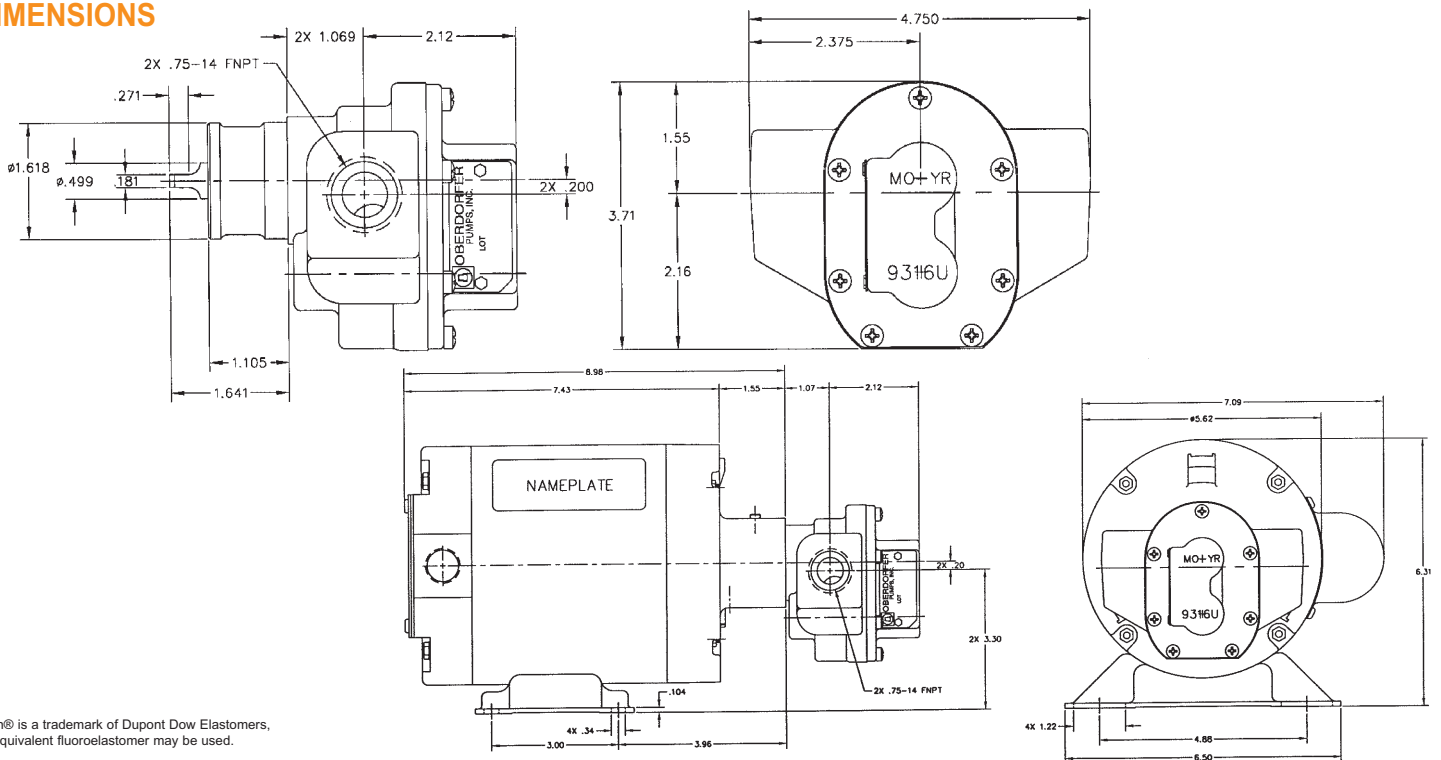
EXPLODED VIEW AND PARTS LIST



	1	2	3	4	5	6	7	8	9	10	11	
	Body	Cover	Drive Gear Assy *	Idle Gear Assy *	Bearing *	Lip Seal *	O-Ring *	Ret. Ring *	Screw	Motor	Dowel Pin	Repair Kit
Pump No.	Qty. 1	Qty. 1	Qty. 1	Qty. 1	Qty. 4	Qty. 1	Qty. 1	Qty. 1	Qty. 7	Qty. 1	Qty. 2	
C992T	2175-C	9316UN5N-C	33210	33120	5024	2165	9797-038	7639	5385	----	8885	12332
C992T-F33	2175-C	9316UN5N-C	33210	33120	5024	2165	9797-038	7639	5385	2143	8885	12332
C992TF	2175-F	9316UN5N	33210-F	33120	2135	2165	9797-038	7639	5385	----	8885	12333
C992TF-F33	2175-F	9316UN5N	33210-F	33120	2135	2165	9797-038	7639	5385	2143	8885	12333

*Repair Kits contain items 3, 4, 5, 6, 7, 8

DIMENSIONS



Viton® is a trademark of Dupont Dow Elastomers, an equivalent fluoroelastomer may be used.

3/06 Specifications are subject to change without notice.