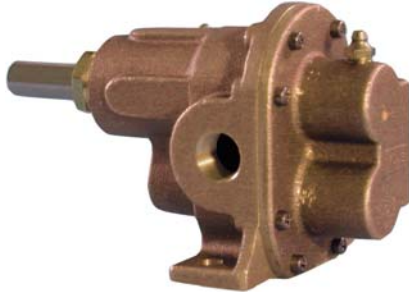


BRONZE PEDESTAL ROTARY GEAR PUMPS

MODEL N3000L - 1/2" NPT PORTS



MODEL N3000LR



LIQUIDS AND TEMPERATURE

Service life will be increased substantially if the liquid pumped is clean and has some degree of lubricity. These positive displacement pumps have tight tolerances. Fine abrasives like sand, silt, or powders in suspension will accelerate pump wear and reduce throughput.

Liquids compatible with bronze and stainless steel can be pumped providing proper seal has been specified (see chemical compatibility or check factory). No carbon bearings used. When possible, flush the pump after each usage.

Temperature extremes are detrimental to service life and should be avoided. Basic metals of construction allow a temperature range of -40 to 400°F. Some lip seal elastomers have a limit of 212°F. (see engineering data or check factory). Allowing a liquid to freeze in the pump can cause damage.

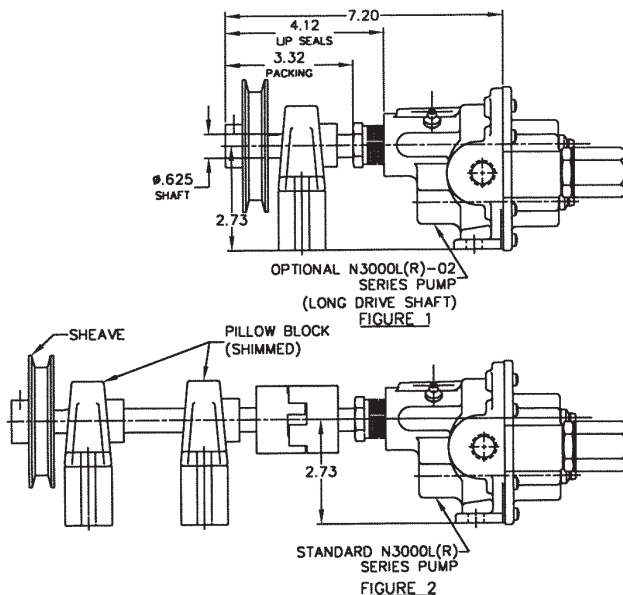
FEATURES

- Bronze corrosion resistant castings
- Special cast bronze helical gears for quiet operation
- Stainless steel shafts & fasteners
- Synthetic braided compression packing (with Teflon® dispersion) is standard
- Optional lip seals are available
- Positive displacement flow
- Bronze bearing surfaces with grease fittings

MOUNTING AND DRIVE ARRANGEMENT

Pumps should be mounted on a rigid base and properly aligned with the motor. Direct drive via flexible shaft coupling is the preferred method. When a belt drive is needed, additional support is necessary to absorb the added pulley load. This can be accomplished in two ways:

- 1) Use the standard pump arrangement by adding an independently supported jackshaft (see figure 2 below) or use kit 34P
- 2) When space is an issue, use an optional "long shafted" pump and add a properly shimmed pillow block bearing (see figure 1).



SUCTION LIFT

Close tolerances and the positive pumping action make the rotary gear pump capable of lifting water on the suction side as high as 20 feet. Though gear pumps are self priming, a foot valve is recommended. If possible, wet the gears with liquid to be pumped for the first dry start. Liquid retained in the system and gear chambers serves to "wet" the pump on subsequent starts.

CAPACITY - WATER 70° F

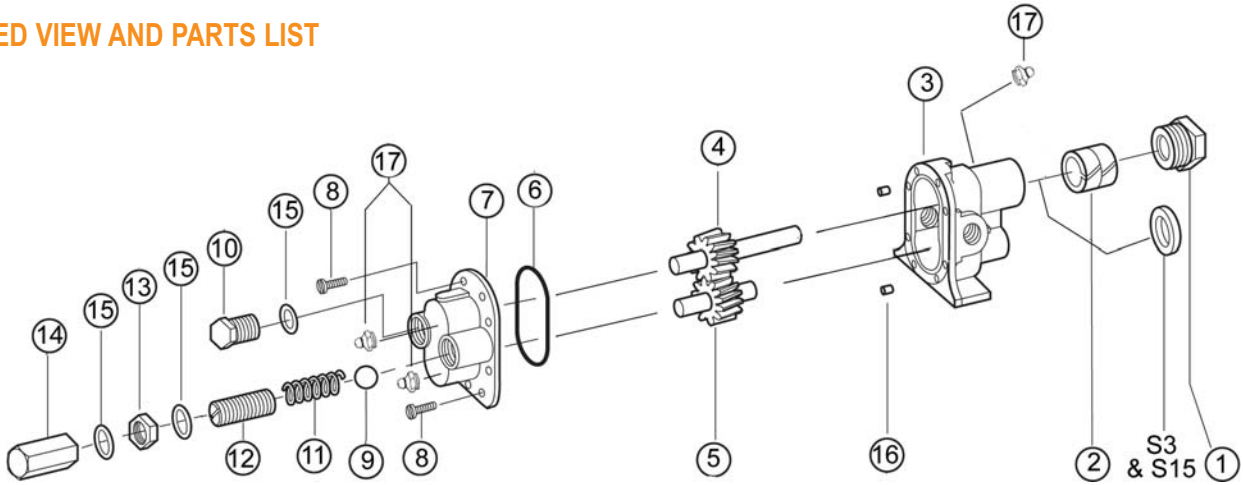
R.P.M.	FT.HD.								
	0	46	92	138	184	231	290	346	
400	P.S.I.	0	20	40	60	80	100	125*	150*
	GPM	1.50	1.05	0.70	0.40	0.20	0.10	---	---
	HP	0.05	0.08	0.13	0.15	0.20	0.24	---	---
600	MOTOR	1/6	1/6	1/6	1/6	1/4	1/4	---	---
	GPM	2.38	2.14	1.89	1.64	1.39	1.15	0.70	0.32
	HP	0.06	0.10	0.17	0.20	0.28	0.35	0.44	0.53
800	MOTOR	1/6	1/6	1/4	1/4	1/3	1/3	1/2	1/2
	GPM	3.17	2.90	2.64	2.37	2.11	1.85	1.70	1.30
	HP	0.08	0.17	0.23	0.20	0.40	0.48	0.54	0.65
1000	MOTOR	1/6	1/4	1/4	1/3	1/2	1/2	3/4	3/4
	GPM	4.00	3.74	3.48	3.22	2.96	2.71	2.40	2.15
	HP	0.10	0.18	0.27	0.38	0.43	0.55	0.67	0.80
1200	MOTOR	1/6	1/4	1/3	1/2	3/4	3/4	1	1
	GPM	4.85	4.60	4.35	4.10	3.84	3.58	3.50	3.20
	HP	0.15	0.25	0.33	0.45	0.55	0.68	0.85	1.00
1600	MOTOR	1/6	1/4	1/3	1/2	3/4	3/4	1	1
	GPM	6.67	6.42	6.16	5.90	5.64	5.38	5.25	5.00
	HP	0.20	0.30	0.45	0.58	0.60	0.85	1.05	1.25
1725	MOTOR	1/4	1/3	1/2	3/4	3/4	1	1	1 1/2
	GPM	7.25	7.00	6.75	6.50	6.25	6.00	5.75	5.50
	HP	0.38	0.50	0.65	0.80	0.95	1.10	1.25	1.40
	MOTOR	1/3	1/2	3/4	1	1	1	1 1/2	1 1/2

H.P. = Actual Horsepower Motor = Convenient Fractional Size
G.P.M. = Gallons per Min. P.S.I. = Lbs. Per Square Inch Pressure
R.P.M. = Rev. per Min. Ft. Hd. = Equiv. Press. in Ft of Water

*For pressures over 100 psi, the above selections are suitable for pumping fluids with lubricity (e.g. oils, polymers). Service life will decrease for fluids without lubricity (e.g. water, solvents).

BRONZE PEDESTAL ROTARY GEAR PUMPS

EXPLODED VIEW AND PARTS LIST



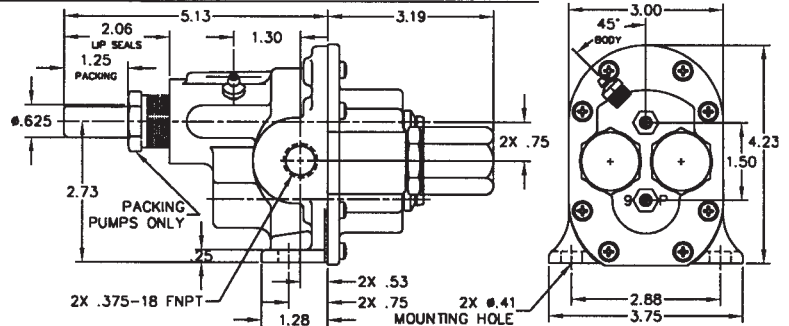
	1	2*	3	4	5	6	7	8	9	10	11	12	13	14	15	16	17	18	19	20
	Packnut	Packing	Body	Drive Gear Ass'y	Idle Gear Ass'y	O-Ring	Cover	Screw	Ball	Plug Nut	Spring	Adj. Screw	Locknut	Bypass Nut	Fiber Washer	Dow el Pin	Grease Fitting	Tag	Stick Screw	Repair Kit
Pump No.	1 Req'd	2 Req'd	1 Req'd	1 Req'd	1 Req'd	1 Req'd	1 Req'd	8 Req'd	1 Req'd	1 Req'd	1 Req'd	1 Req'd	1 Req'd	1 Req'd	3 Req'd	2 Req'd	2 Req'd	1 Req'd	1 Req'd	
N3000L	1762	5479	9318PC1N-2	33001	33002	9797-041	9322PN5N-1	5385	N/A	N/A	N/A	N/A	N/A	N/A	N/A	8885	5390	9344	9345	12217
N3000LR	1762	5479	9318PC1N-2	33001	33002	9797-041	9323PN5B-1	5385	5206	5205	5207	5200	5209	5204	6964	8885	Qty. 3.00 5390	9344	9345	12217

Repair Kits contain items 2, 4, 5 and 6. Items 18 and 19 not shown above.

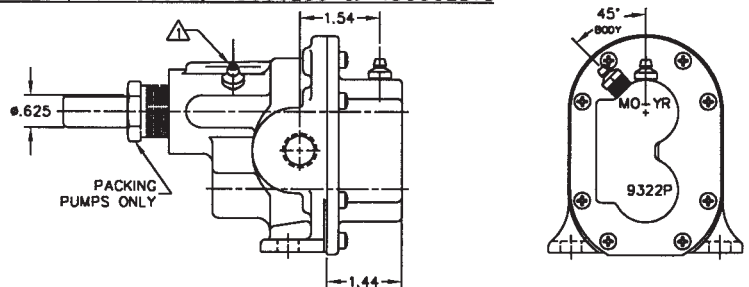
*Lipseals		1	2	3	20
Number	Description	1 Req'd	1 Req'd	1 Req'd	Repair Kit
S3	Buna Lipseal	N/A	5463	9318PC2N-1	12218
S15	Viton-Teflon Lipseal	N/A	9997	9318PC2N-1	12219

DIMENSIONS

DIMENSIONS N3000LR, N3000LRS3 & N3000LRS15



DIMENSIONS N3000L, N3000LS3 & N3000LS15



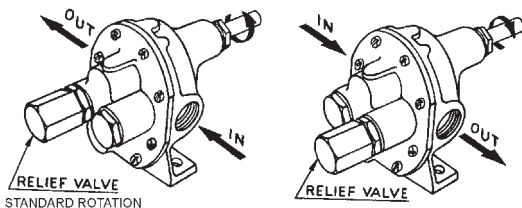
▲ GREASE FITTINGS (ITEM 17) INSTALLED INTO .125-27 NPT CONNECTIONS.

BY-PASS AND ROTATION

The pump by-pass is not intended to be a metering or flow control device. Its main purpose is to function as a pressure relief when the desired set point is exceeded, overheating can occur within 5 -10 minutes if the discharge line is completely shut off for extended periods.

Reversing rotation reverses the "IN" and "OUT" ports and the location of the by-pass ports have to be reversed.

The by-pass valve is factory set at 50 p.s.i. To increase the setpoint, turn the by-pass valve adjusting screw in a clockwise direction.



* Viton® or equivalent FKM will be used. Viton® is a registered trademark of DuPont Dow Elastomers.

Teflon® or equivalent PTFE will be used. Teflon® is a registered trademark of DuPont.